



5520 Northwest Drive  
Bellingham WA 98226  
360.305.0944

# High Speed Landing Craft - LC18

June 17, 2020

## Product Overview

The LC-18 incorporates a number of innovative Hard Drive Marine features including a [Maxgate](#) landing door and a modular console.

The mobile console allows the captain to position himself anywhere necessary on the boat, ensuring maximum visibility, comfort, and safety, regardless of the configuration of the load.

The open design of this boat allows the use of custom deck components that can be placed or removed as needed. Components can include cabins, elevated bridges, pump tanks, dry cargo containers, haz-mat kits, row seating, and more.



## Project Details

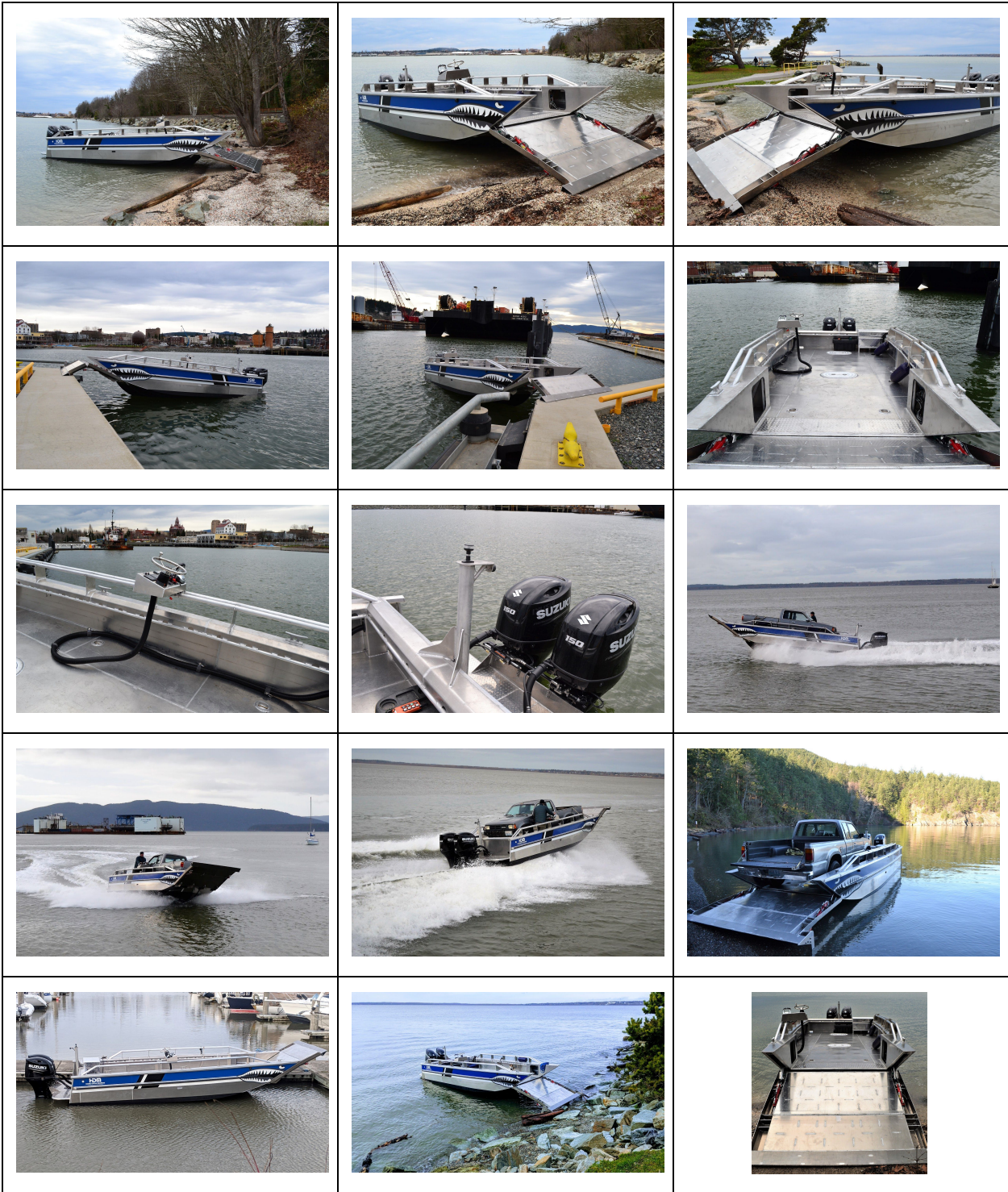
**HULL MODEL 2710**

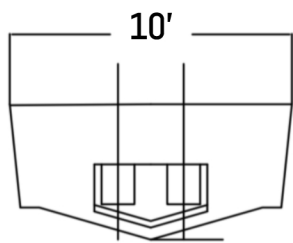
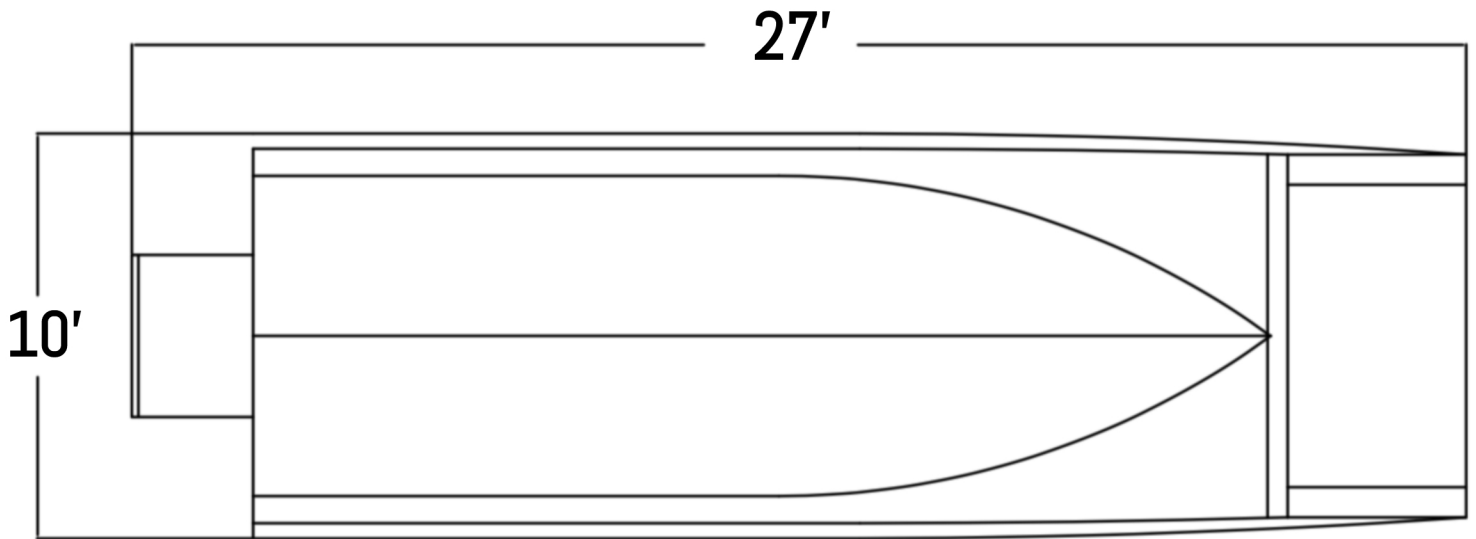
**BUILD #LC-18**

**DIMENSIONS: LENGTH 27' BEAM 10'**

**POWER: X2 SUZUKI 150 HP**

# More Photos





2710



**Project Details:**

Hull Model 2710

Dimensions LOA 27' x 10'

Power: X2 SUZUKI 150 HP

